

# FISHER & PAYKEL

## REFRIGERATOR FREEZER

---

RF170BRPX6 N FP US

PRODUCT CODE: 25101-A

PARTS MANUAL

US CA

# INTRODUCTION

---

<b>BRAND</b>	<b>VOLTAGE</b>	<b>MODEL</b>	<b>PRODUCT CODE</b>
Fisher & Paykel	110-120 60Hz	RF170BRPX6 N FP US	25101-A

---

## MODELS

The models covered by this manual are listed on the front cover. The information detailed in this manual is subject to change without notice. The latest version is indicated by the reprint date and replaces any earlier editions.

## KIT PARTS

Where a part number is shown against the descriptions for kit components, they are also available as separate items. In addition, some parts may be supplied with these kits that are not available as separate items, and are therefore either not listed, or a part number is not shown against the part description in this manual.

## PARTS LIST KEY

<b>NI</b>	As a part reference, indicates the part is not illustrated on the diagram.
<b>NOT USED</b>	As a part number, indicates the diagram part reference is not used in this manual.
<b>NS</b>	As a part number, indicates the part is not servicable.

---

# CONTENTS

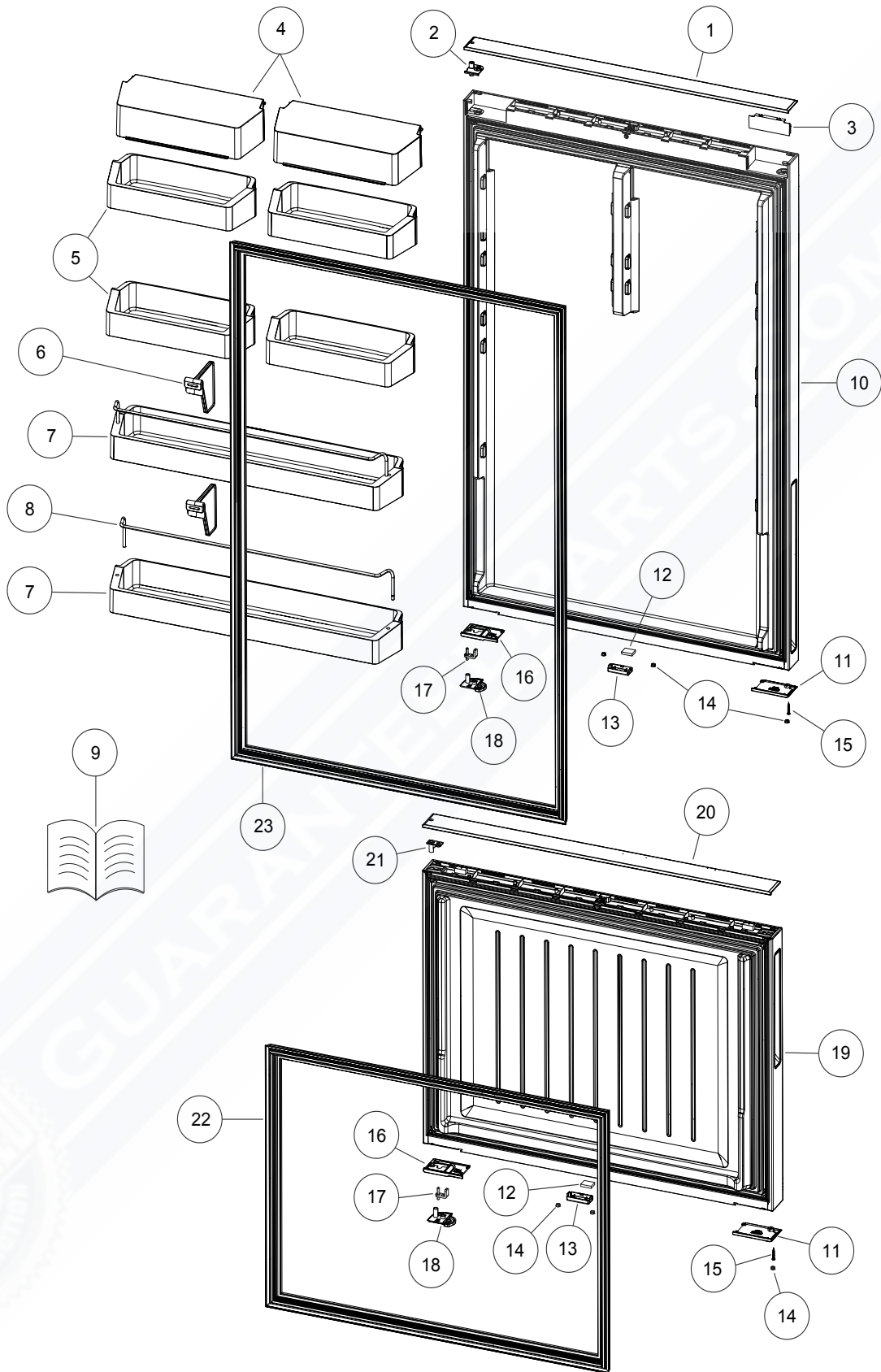
---

INTRODUCTION	1
DOOR COMPONENTS	3
CABINET COMPONENTS	5
CABINET ACCESSORIES	11
EVAPORATOR AREA COMPONENTS	13
DUCT COVER COMPONENTS	17
TERMINAL, PLUGS & SOCKETS	19
COMPRESSOR AREA COMPONENTS	21

GUARANTEEDPARTS.COM



# DOOR COMPONENTS



DWG004189

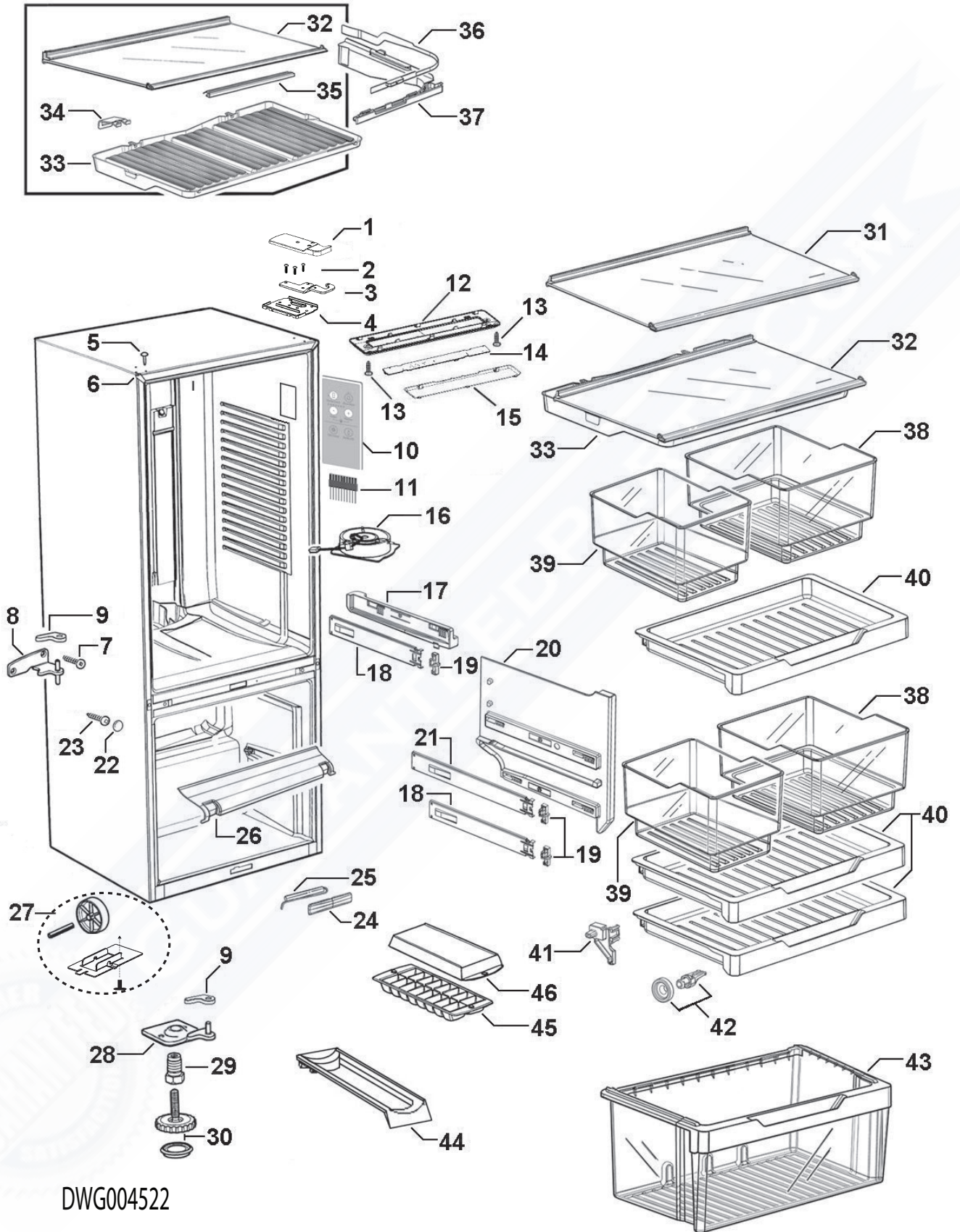
DWG 004189

## DOOR COMPONENTS

REFERENCE	PART NUMBER	PART DESCRIPTION
1	842125	COVER DOOR SF TOP 790B GR
2	839659	BEARING HINGE WATER RH UD
3	842103	COVER DOOR TOP NONHINGE GR
4	821467	COVER SHELF RF522W
5	839723	SHELF DOOR SOLID 790
6	821805	DIVIDER BOTTLE 522B
7	821630	SHELF DR BTM RF522W
8	821465	RAIL SHELF DOOR RF522W
9	845266	BOOK UUC AS U-DOOR USA CA
10	848037P	DOOR PC 790X1052.5 P SX RH LGO
11	842369P	COVER DOOR BOT NONHINGE RH GR
12	883315	MAGNET DOOR SWITCH ST4
13	842122	COVER MAGNET DOOR UD GR
14	842483P	PLUG DOOR BOTTOM GR
15	817825P	SCREW #8X22 WAFER PH ST TV
16	842372	COVER DR BOT UD HINGE RH GR
17	814537	DOOR STOP ASSY
18	843387	CLOSING HOOK DR STOP RH GR NO
19	842064P	DOOR FC 790X605 P SX RH
20	842748	COVER DOOR SF TOP 790B GR RH
21	813931	BEARING HINGE TOP GR
22	841373P	GASKET FRAME PUSHIN 790B FC
23	841362P	GASKET FRAME PUSHIN 522B PC



# CABINET COMPONENTS



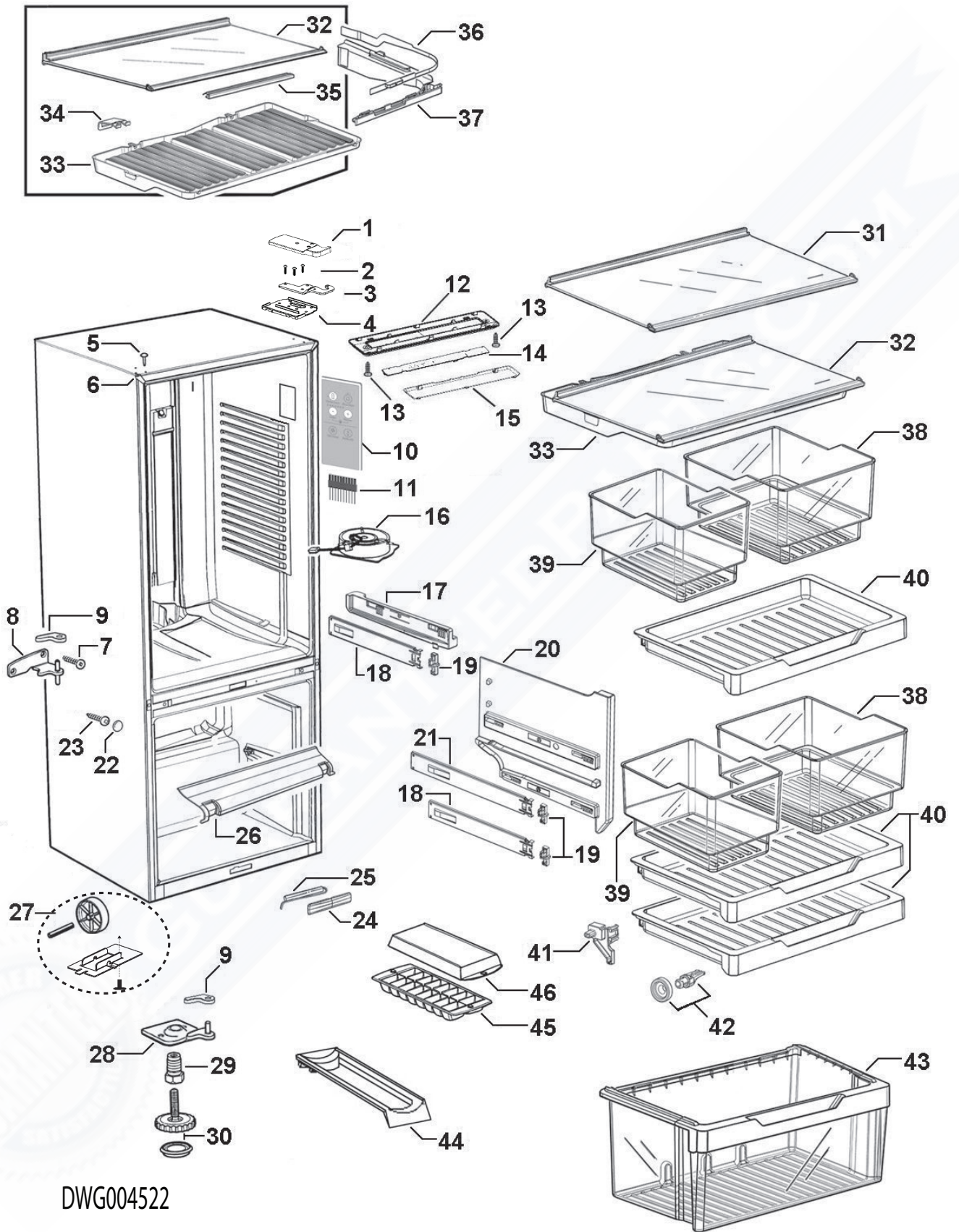
DWG004522

## CABINET COMPONENTS

REFERENCE	PART NUMBER	PART DESCRIPTION
<b>1</b>	<b>846778P</b>	<b>COVER HINGE LOW NIW GRY R</b>
<b>2</b>	<b>817818P</b>	<b>SCREW M5X20 HEX PH ST TV (PKT 10)</b>
<b>3</b>	<b>820717</b>	<b>BRACKET HINGE IW RH</b>
<b>4</b>	<b>846774P</b>	<b>SUPPORT HINGE LOW NIW</b>
<b>NI</b>	<b>847437</b>	<b>KIT COVER HINGE LOW GRY RH</b>
	Includes 846778P	COVER HINGE LOW NIW GRY R
	Includes 846774P	SUPPORT HINGE LOW NIW
<b>5</b>	<b>883948P</b>	<b>PLUG TAPPED HOLE SILVER (PKT 3)</b>
<b>6</b>	<b>883951</b>	<b>TRIM CORNER SILVER 680/790</b>
<b>7</b>	<b>880656P</b>	<b>SCREW 10GX25CSK SQ SS (PKT 10)</b>
<b>8</b>	<b>881283P</b>	<b>BRACKET CENTRE HINGE RH PKD</b>
	Includes 883988P	CAP DOOR CLOSING RH HGE BRKT
<b>9</b>	<b>883988P</b>	<b>CAP DOOR CLOSING RH HGE BRKT</b>
<b>10</b>	<b>837327P</b>	<b>MOD DISP AS U2 INT 6 BUT SVC</b>
<b>11</b>	<b>839618</b>	<b>HARNESS MOLEX 5 WAY SPARES</b>
<b>12</b>	<b>820736</b>	<b>HOUSING FRONT LED PC</b>
<b>13</b>	<b>817816P</b>	<b>SCREW 6 X12 AB TRUSS PH ST TV (PKT 10)</b>
<b>14</b>	<b>845096P</b>	<b>MOD LAMP AS CEILING SVC</b>
<b>15</b>	<b>820737</b>	<b>WINDOW LED PC</b>
<b>16</b>	<b>821183P</b>	<b>PC FAN ASSY JST/DCT</b>
	Includes	FAN HOUSING PC ASSY
	Includes	DUCT JUNCTION
	Includes	CONNECTOR IDC UP2 (2)
	Includes	LABEL WARNING 12 VOLT DC
	Includes	SHEET INSTRUCTION PC FAN ASSY
<b>17</b>	<b>836810</b>	<b>RETAINER &amp; SLIDE 790 RH ASSY</b>
	Includes	RETAINER SLIDE PC RH
	Includes 836700	SLIDE 305 RH ASSEMBLY
	Includes 836520P	CLIP SLIDE
	<b>836809</b>	<b>RETAINER &amp; SLIDE 790 LH ASSY</b>
	Includes	RETAINER SLIDE PC LH
	Includes 836701	SLIDE 305 LH ASSEMBLY
	Includes 836520P	CLIP SLIDE
<b>18</b>	<b>836700</b>	<b>SLIDE 305 RH ASSEMBLY</b>
	Includes 836520P	CLIP SLIDE
	<b>836701</b>	<b>SLIDE 305 LH ASSEMBLY</b>
	Includes 836520P	CLIP SLIDE



# CABINET COMPONENTS



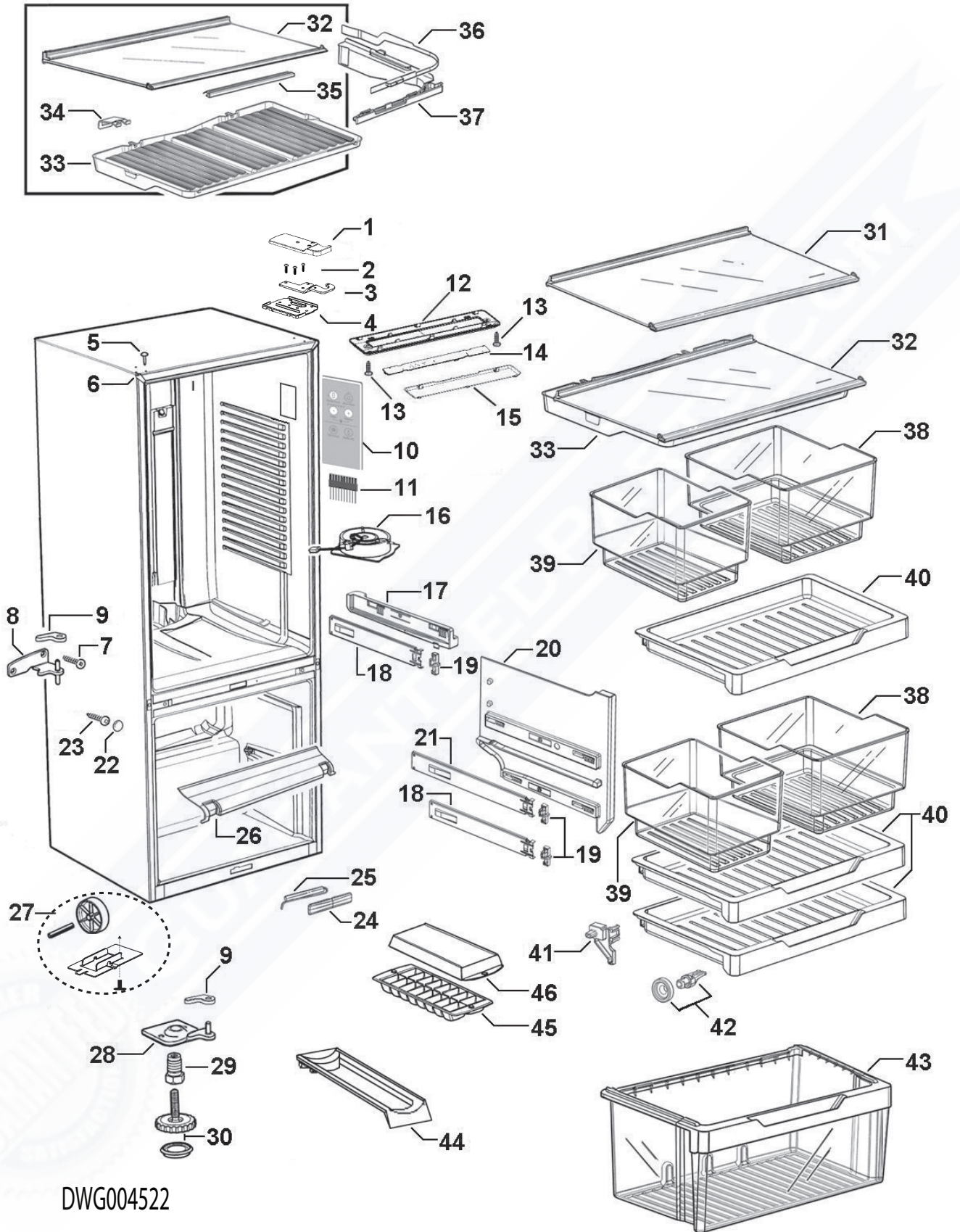
DWG004522



## CABINET COMPONENTS

REFERENCE	PART NUMBER	PART DESCRIPTION
19	836520P	CLIP SLIDE (PKT 2)
20	836545	RETAINER SLIDE FC RH
	836546	RETAINER SLIDE FC LH
21	836702	SLIDE 350 RH ASSEMBLY
	Includes 836520P	CLIP SLIDE
	836703	SLIDE 350 LH ASSEMBLY
	Includes 836520P	CLIP SLIDE
22	883953P	CAP SCREW CROSS RAIL SILVER
	880595P	CAP SCREW CROSS RAIL WHT PKD
23	817822P	SCREW #10X19 AB #2 SQ TV (PKT 10)
24	884011	COVER REED SWITCH ST4 SILVER
	881420	COVER REED SWITCH ST4 WHITE
25	814443P	SWITCH REED FIELD FIX KIT ST4
	Includes	HEATSHRINK 1/8" MW ADHESIVE LINED
26	836595	DUCT RETURN AIR FC 790
27	847316P	RETAINER WHEEL STEEL KIT
	Includes	RETAINER WHEEL STEEL
	Includes	SCREW 8-32X8 TY T PAN PH TV
	Includes	ROLLER FOOT FRONT
	Includes	PIN ROLLER PLATED
28	814691P	BRACKET HINGE BASE RH PKD
	Includes 883988P	CAP DOOR CLOSING RH HGE BRKT
29	813481	BOLT BLIND END HINGE BRACKET
30	818535	WHEEL LEVELING FOOT ASSY RC
	Includes	SCREW M10 LEVELLING FOOT TV
	Includes	BASE LEVELLING FOOT
31	836751P	SHELF GLASS PC 790 ASSY SC
	Includes	SHELF GLASS PC 790
	Includes	TRIM SHELF PC 790 SC
	Includes	STIFFENER SHELF PC 790 SC
	Includes 836569	PLUG STIFFENER SHELF RH
	Includes 836570	PLUG STIFFENER SHELF LH
	Includes 836567	PLUG TRIM SHELF RH
	Includes 836568	PLUG TRIM SHELF LH

# CABINET COMPONENTS



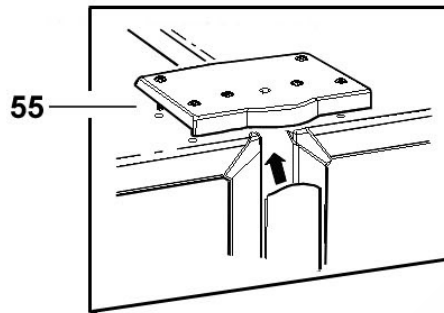
DWG004522

## CABINET COMPONENTS

REFERENCE	PART NUMBER	PART DESCRIPTION
<b>32</b>	<b>836728P</b>	<b>SHELF GLASS HCL 790B ASSY SC</b>
	Includes	SHELF GLASS PC 790
	Includes	TRIM SHELF HCL 790 SC
	Includes	STIFFENER SHELF PC 790 SC
	Includes 836567	PLUG TRIM SHELF RH
	Includes 836568	PLUG TRIM SHELF LH
	Includes 836569	PLUG STIFFENER SHELF RH
	Includes 836570	PLUG STIFFENER SHELF LH
	Includes 819179	RETAINER HCL FRONT 790
	Includes 881268	BRACKET HCL SUPPORT B GL SH (2)
	Includes 836574	LID HUMIDITY CONTROL 790B
	Includes 836631	SLIDE CONTROL HUMIDITY RH
	Includes 836633	SLIDE CONTROL HUMIDITY LH
	Includes 836632	GUIDE CONTROL HUMIDITY RH
	Includes 836634	GUIDE CONTROL HUMIDITY LH
<b>33</b>	<b>836574</b>	<b>LID HUMIDITY CONTROL 790B</b>
<b>34</b>	<b>881268</b>	<b>BRACKET HCL SUPPORT B GL SH</b>
<b>35</b>	<b>836582</b>	<b>RETAINER HCL FRONT 790</b>
<b>36</b>	<b>836631</b>	<b>SLIDE CONTROL HUMIDITY RH</b>
	<b>836633</b>	<b>SLIDE CONTROL HUMIDITY LH</b>
<b>37</b>	<b>836632</b>	<b>GUIDE CONTROL HUMIDITY RH</b>
	<b>836634</b>	<b>GUIDE CONTROL HUMIDITY LH</b>
<b>38</b>	<b>836524</b>	<b>BIN SMALL 790</b>
<b>39</b>	<b>836522</b>	<b>BIN SMALL</b>
<b>40</b>	<b>821142</b>	<b>TRAY 790</b>
<b>41</b>	<b>836585</b>	<b>SKID TRAY RH</b>
	<b>836586</b>	<b>SKID TRAY LH</b>
<b>42</b>	<b>836517</b>	<b>WHEEL &amp; CHASSIS ASSEMBLY (PKT 2)</b>
<b>43</b>	<b>836661</b>	<b>BIN ASSEMBLY LARGE 790</b>
	Includes	HANDLE BIN LARGE
<b>44</b>	<b>860593</b>	<b>HOLDER BOTTLE SINGLE</b>
<b>45</b>	<b>874107</b>	<b>TRAY ICE BASE</b>
<b>46</b>	<b>874108</b>	<b>TRAY ICE LID</b>

# CABINET ACCESSORIES

---



DWG001132 - MARCH 2010



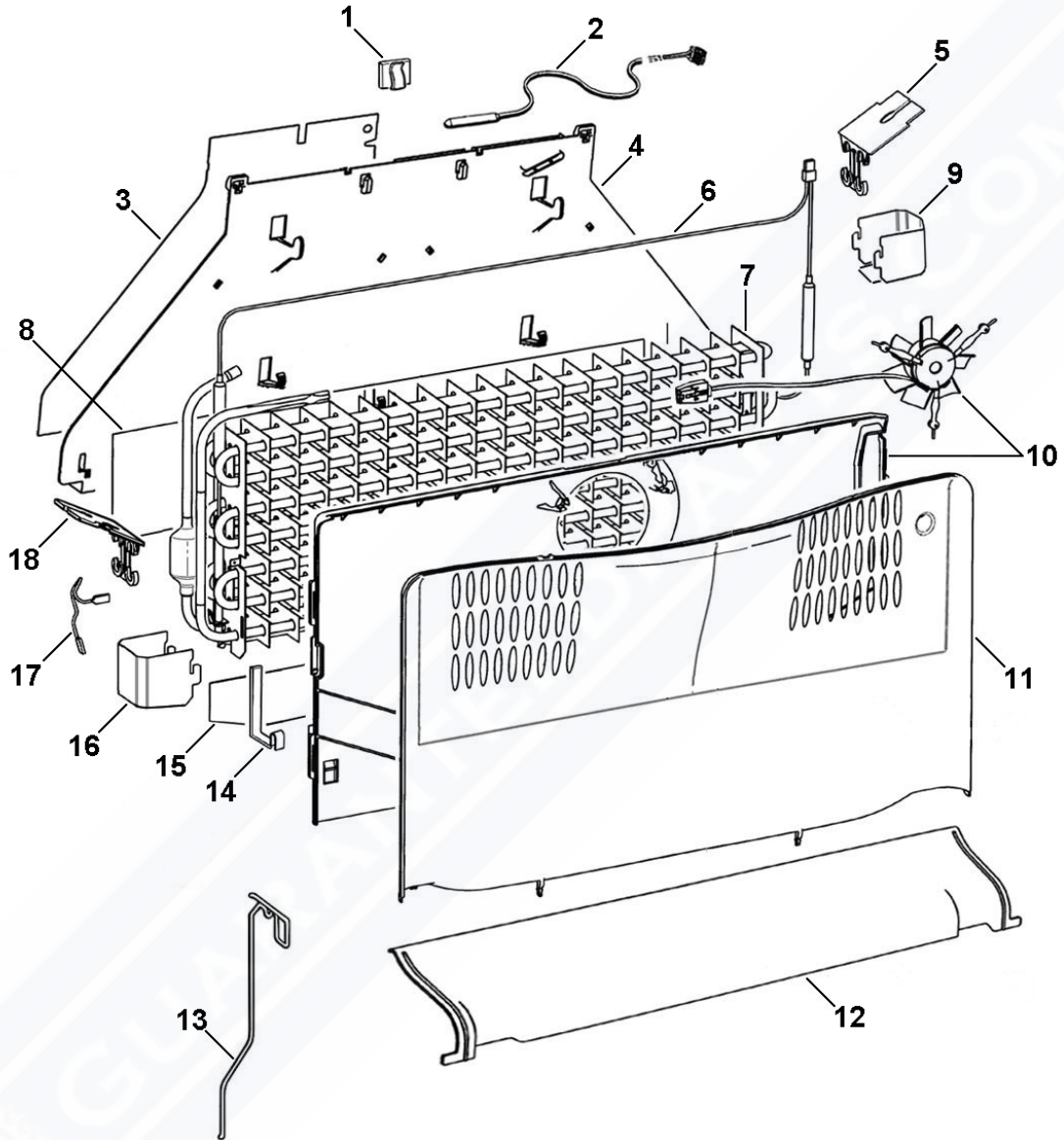
## CABINET ACCESSORIES

REFERENCE	PART NUMBER	PART DESCRIPTION
55	819264	KIT JOINER SILVER
56	818758	KIT SURROUND STAINLESS 790 LH
	818759	KIT SURROUND STAINLESS 790 X2

GUARANTEEDPARTS.COM



# EVAPORATOR AREA COMPONENTS



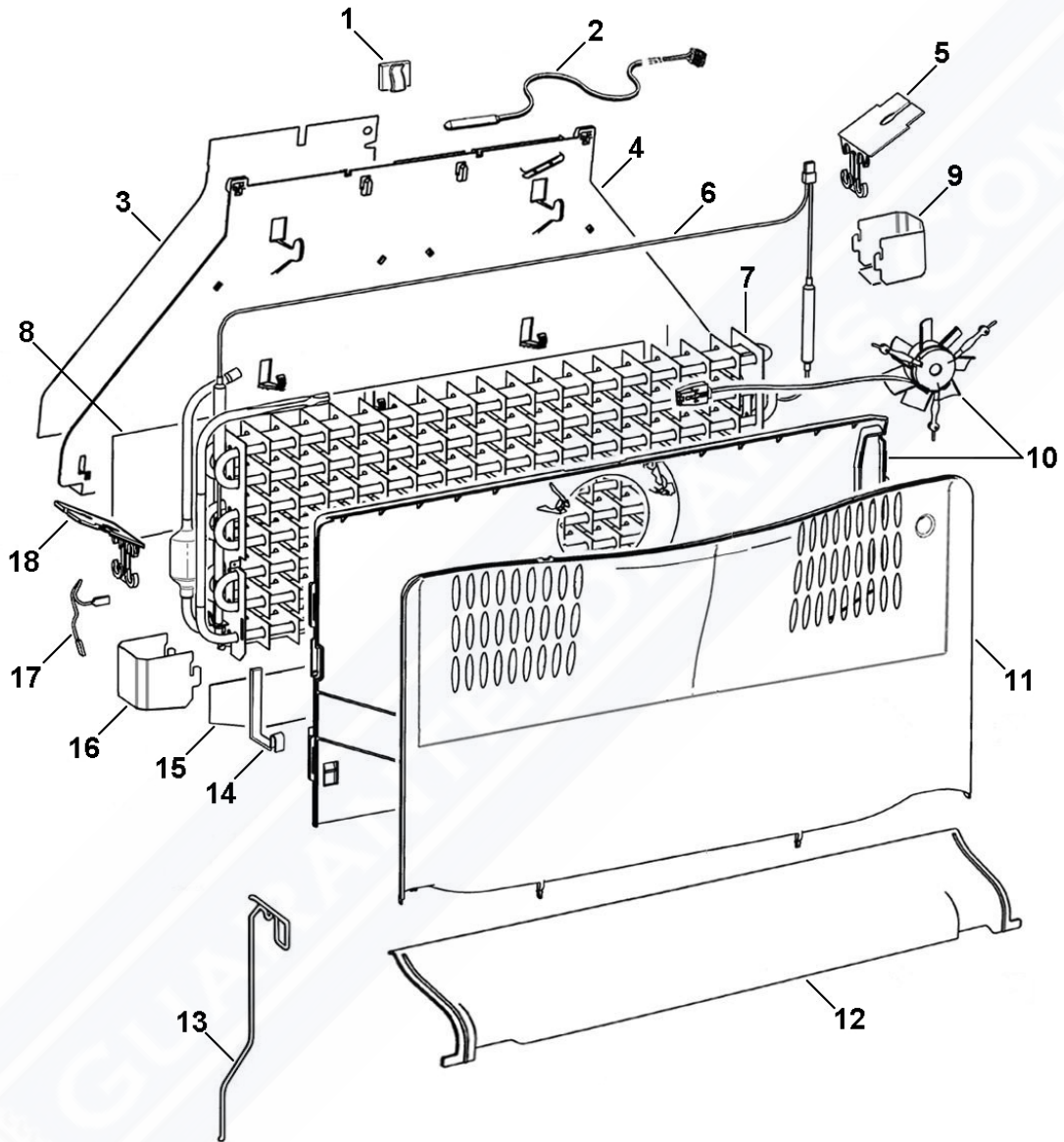
DWG003276 FEBRUARY 2014

DWG 003276

## EVAPORATOR AREA COMPONENTS

REFERENCE	PART NUMBER	PART DESCRIPTION
<b>1</b>	<b>900236</b>	<b>CORD CLIP ACC - 3N</b>
<b>2</b>	<b>855203P</b>	<b>SENSOR KIT ASSY ACTV SM</b>
	Includes	HEATSHRINK 25MM
	Includes	HARNESS SENSOR PC
	Includes	CONNECTOR BUTT (2)
	Includes	SHEET INSTRUCTN BUTT CONNECTORS
<b>3</b>	<b>884315</b>	<b>DEFLECTOR HEAT 790B</b>
<b>4</b>	<b>814475</b>	<b>CHASSIS EVAP 790B</b>
<b>5</b>	<b>820604</b>	<b>CLIP EVAP BAFFLE</b>
<b>6</b>	<b>818980P</b>	<b>KIT HTR DEF PUR 120V 790</b>
<b>NI</b>	<b>821745</b>	<b>COVER PLUG TYCO</b>
<b>7</b>	<b>838859P</b>	<b>EVAP ASSY 790B R134A 120V</b>
	Includes	EVAPORATOR FINNED DENSE 790
	Includes 818980	HEATER DEFROST 230V 790
	Includes 813992	CLIP ACTIVE SMART BAFFLE
	Includes 820604	CLIP EVAP BAFFLE
	Includes 814475	CHASSIS EVAP 790B
	Includes 814713	SHIELD EVAP CHASSIS 790B
	Includes 814708	SHIELD HEATER LEFT HAND
	Includes 814709	SHIELD HEATER RIGHT HAND
	Includes 884315	DEFLECTOR HEAT 790B
<b>8</b>	<b>814713</b>	<b>SHIELD EVAP CHASSIS 790B</b>
<b>9</b>	<b>814709</b>	<b>SHIELD HEATER RIGHT HAND</b>
<b>10</b>	<b>306096P</b>	<b>FAN FC KIT 790 SERIES A TO D</b>
	Includes 880279	SHIELD HEATER FC COVER 790
	Includes	COVER FAN FC REAR 790
	Includes	CONNECTOR IDC UP2 (2)
	Includes	LABEL WARNING 12 VOLT DC
	Includes	FAN DC SUSPENDED FC ASSY
<b>11</b>	<b>873395</b>	<b>COVER FAN FC FRONT E790B</b>
<b>12</b>	<b>836595</b>	<b>DUCT RETURN AIR FC 790</b>
<b>13</b>	<b>838902</b>	<b>WIRE DRAIN HEATER SINGLE B MEP</b>

# EVAPORATOR AREA COMPONENTS



DWG003276 FEBRUARY 2014

DWG 003276



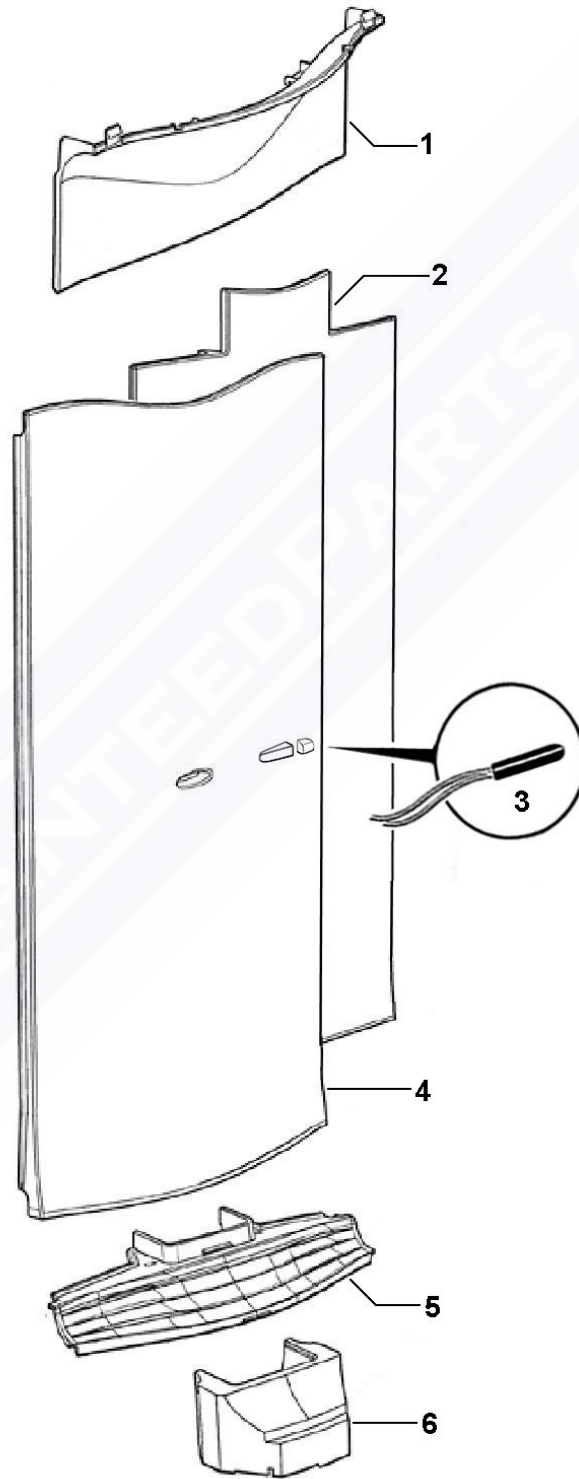
## EVAPORATOR AREA COMPONENTS

REFERENCE	PART NUMBER	PART DESCRIPTION
14	814653	CLIP DEFOST HEATER B EVAP
15	883783	SHIELD FC REAR COVER 790
16	814708	SHIELD HEATER LEFT HAND
17	814460	HARNESS EARTH 100MM
18	813992	CLIP ACTIVE SMART BAFFLE

GUARANTEEDPARTS.COM



# DUCT COVER COMPONENTS



DWG002944 FEBRUARY 2013

DWG 002944

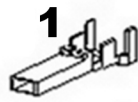
## DUCT COVER COMPONENTS

REFERENCE	PART NUMBER	PART DESCRIPTION
1	837405	COVER DUCT PC TOP B
2	873950	INSULATION COVER DUCT LONG B
3	855203P	SENSOR KIT ASSY
	Includes	CONNECTOR BUTT
	Includes	HARNESS SENSOR PC
4	836861	COVER DUCT PC B LONG WATER
5	813287	GRILLE PC RETURN AIR B MODEL
6	872823	INSULATION INSERT PID

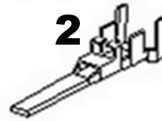
GUARANTEEDPARTS.COM



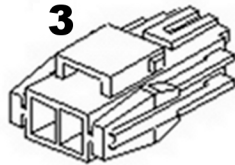
# TERMINAL, PLUGS & SOCKETS



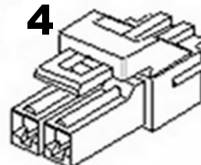
**1**  
JST SOCKET TERMINAL



**2**  
JST PIN TERMINAL



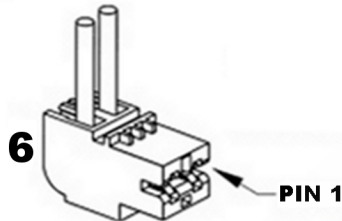
**3**  
JST SOCKET



**4**  
JST PLUG

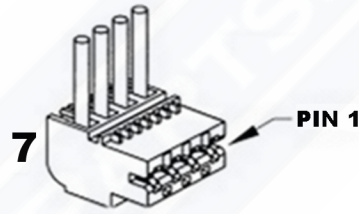


**5**  
JST RETAINER



**6**  
RAST CONNECTOR

PIN 1



**7**  
RAST CONNECTOR

PIN 1

**NOTE THAT IN THE PART NAMES OF THESE CONNECTORS, THE -02- REFERS TO IT BEING A 2 WAY CONNECTOR, AND THE -AB01-(FOR EXAMPLE) REFERS TO THE CODING OF THE CONNECTOR.**

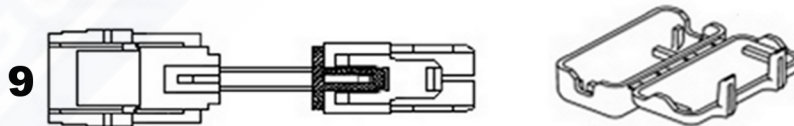


**8**  
RAST CONNECTOR

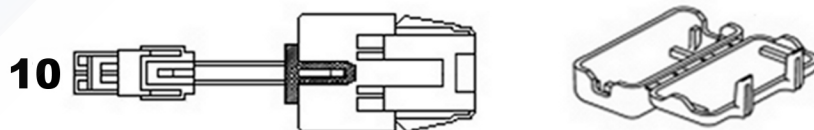
**NEW EDGE CONNECTOR SERIES WITH INTERNAL CODING - NOTE THE WALL**

PIN 1

**NOTE: TO MINIMISE THE NUMBER OF SPARE PARTS THAT NEED TO BE CARRIED, THESE CODED CONNECTORS ARE TO BE REPLACED WITH THEIR UNCODED EQUIVALENTS FOR THE 3, 5 AND 6 WAY CONNECTORS USED ON STAGE 4 CABINETS.**



**9**  
HARNESS ADAPTOR - JST REC TO MOLEX PLUG



**10**  
HARNESS ADAPTOR - JST PLUG TO MOLEX REC

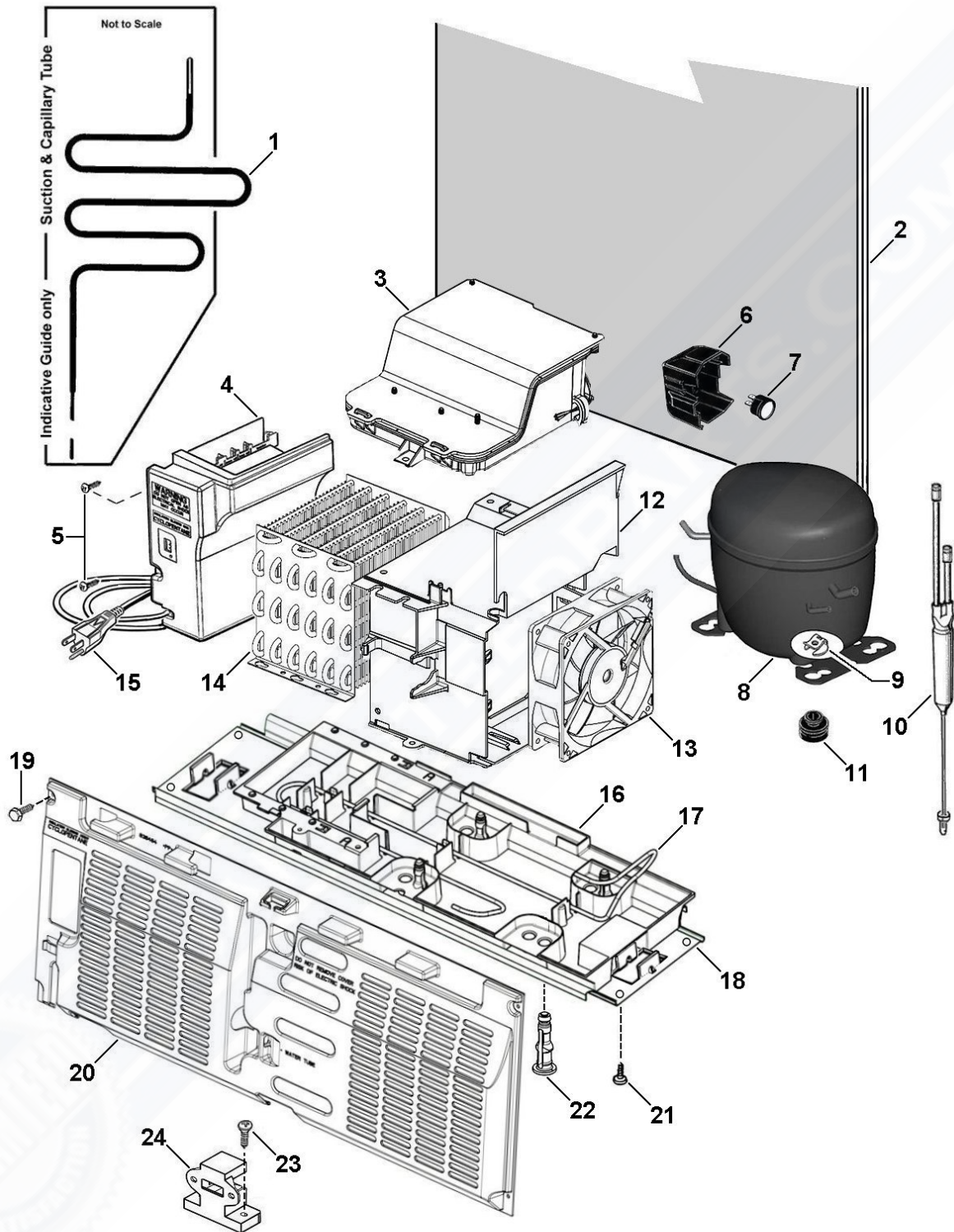


## TERMINAL, PLUGS & SOCKETS

REFERENCE	PART NUMBER	PART DESCRIPTION	COMMENTS
1	819607P	TERMINAL SYF-01T PKT 10	26/20 AWG
	819608P	TERMINAL SYF-41T PKT 10	20/16 AWG
2	819609P	PIN/TERM SYM-01T PKT 10	26/20 AWG
	819610P	PIN/TERM SYM-41T PKT 10	20/16 AWG
3	819615	JST SOCKET 2PIN YLR-02V	
	819616	JST SOCKET 3PIN YLR-03V	
	819617	JST SOCKET 4PIN YLR-04V	
	819618	JST SOCKET 6PIN YLR-06VF	
	819619	JST SOCKET 8 PIN YLR-08V	
4	819611	JST PLUG 2PIN YLP-02V	
	819612	JST PLUG 4PIN YLP-04V	
	819613	JST PLUG 6PIN YLP-06V	
	819614	JST PLUG 8PIN YLP-08V	
5	819620	RETAINER 2 WAY YLS-02V	
	819621	RETAINER 3 WAY YLS-03V	
6	881588	CONNECTOR RAST 9290-02-AB01	MAINS CORD
	881589	CONNECTOR RAST 9290-02-BA01	DEFROST HEATER
	881590	CONNECTOR RAST 9290-02-EE01	RUN CAPACITOR
7	881591	CONNECTOR RAST 9290-04-EF02	COMPRESSOR CABLE
8	873251	CONNECTOR RAST 7234-003-500	
	873250	CONNECTOR RAST 7234-004-500	
	881135	CONNECTOR RAST 7234-005-500	
	873247	CONNECTOR RAST 7234-006-500	
	873279	CONNECTOR RAST 7234-008-500	
	873248	CONNECTOR RAST 7234-010-500	
	873243	CONNECTOR RAST 7234-012-500	
	881136	CONNECTOR RAST 7234-014-500	
9	820687P	ADAPTOR JST REC TO MOLEX KIT	
	Includes 884412	COVER PLUG MOLEX	
10	820688P	ADAPTOR JST PLUG TO MOLEX KIT	
	Includes 884412	COVER PLUG MOLEX	

**NOTE:** THE NUMBERS IN THE DESCRIPTION OF THE RAST CONNECTOR DENOTES THE NUMBER OF CONNECTIONS - EXAMPLE: 7234-017-502 =17 WAY CONNECTOR

# COMPRESSOR AREA COMPONENTS



DWG003278 FEBRUARY 2014

DWG 003278

## COMPRESSOR AREA COMPONENTS

REFERENCE	PART NUMBER	PART DESCRIPTION
1	883874	SUCTION & CAPILLARY ASSY 790B
2	878178	PANEL BACK FORMED 790
3	820196	MOD INV VCC AS 120V
4	838197P	MOD CNTRL MT 120V SVC
5	817829P	SCREW #8X16 SP PAN NIB ST TV (PKT 10)
6	207342	COVER PROTECTOR PAN EEI
7	207341	OVERLOAD PAN MM3-71CCY
8	207339P	COMPR PAN EEI57C13DGH
	Includes 207341	OVERLOAD PAN MM3-71CCY
	Includes 207342	COVER PROTECTOR PAN EEI
	Includes 820196	MOD INV VCC AS 120V
	Includes 207265	GROMMET COMPR MTG 26MM (4)
	Includes 838454	PIN LOCKING COMP (4)
	Includes 855270P	CLIP FOOT COMPRESSOR (4)
	Includes 814843P	FILTER DRIER LONG TAIL XH9 12 GRM
9	855270P	CLIP FOOT COMPRESSOR (PKT 4)
10	814843P	FILTER DRIER LONG TAIL XH9 12GRM
11	207265	GROMMET COMPR MTG 26MM
12	838644	HOUSING FAN INV
13	838855P	FAN CONDENSER
14	838455	CONDENSER EXT 6 PASS
15	837802	CORD SET USA MODEL
16	838378	HOUSING CONDENSER BASE
17	839026	TUBE EVAP TRAY FORM H_SHRINK
18	838488	TRAY COMP MNTG 790
19	817834P	SCREW #8X16 HEX (PKT 10)
20	838484	COVER COMP EXT COND 790
21	817829P	SCREW #8X16 SP PAN NIB ST TV (PKT 10)
22	838454	PIN LOCKING COMP
23	NOT USED	ITEM NOT USED IN THIS MODEL
24	NOT USED	ITEM NOT USED IN THIS MODEL